



BR 31a · Quarter-turn actuator

Version DAP / SRP · Coating specification



Fig. 1: BR 31a Rotary Actuator
(showing adjustment screws for limit stops)

Fig. 2: BR 31a Rotary Actuator (showing NAMUR interface)

Characteristics

- The body is special hard anodized (ALODUR), inside as well as outside. This special coating is resistant to wear and excellent resistance to a variety of aggressive media such. Solvent vapors, etc.
- The end caps are special hard anodized
- ALODUR is a special coating treatment, which is created in connection with a electro-chemical reaction of the Al base material. This ALODUR coating is generated in two different coating treatments
- Comparable to the good surface hardness like the hard anodizing. Therefore high life time. Very good corrosion resistance in general service and salted environment. Through the lower layer thickness compared with hard anodizing a lower friction in connection with a higher sealing life time is achieved

Suitable for

- General industry, saline environment

Not suitable for

- Chlorine, sulfuric acid, nitric acid

Test certificate

- Salt spray test: Nr. SAC/304/98
- Kesternich test: Nr. SAC/301/98

Approval

- Classification of ships: DET NORSKE Nr. P-12465
- GOST: Nr. 7435773, PPC 00-26447

Parts and Protection

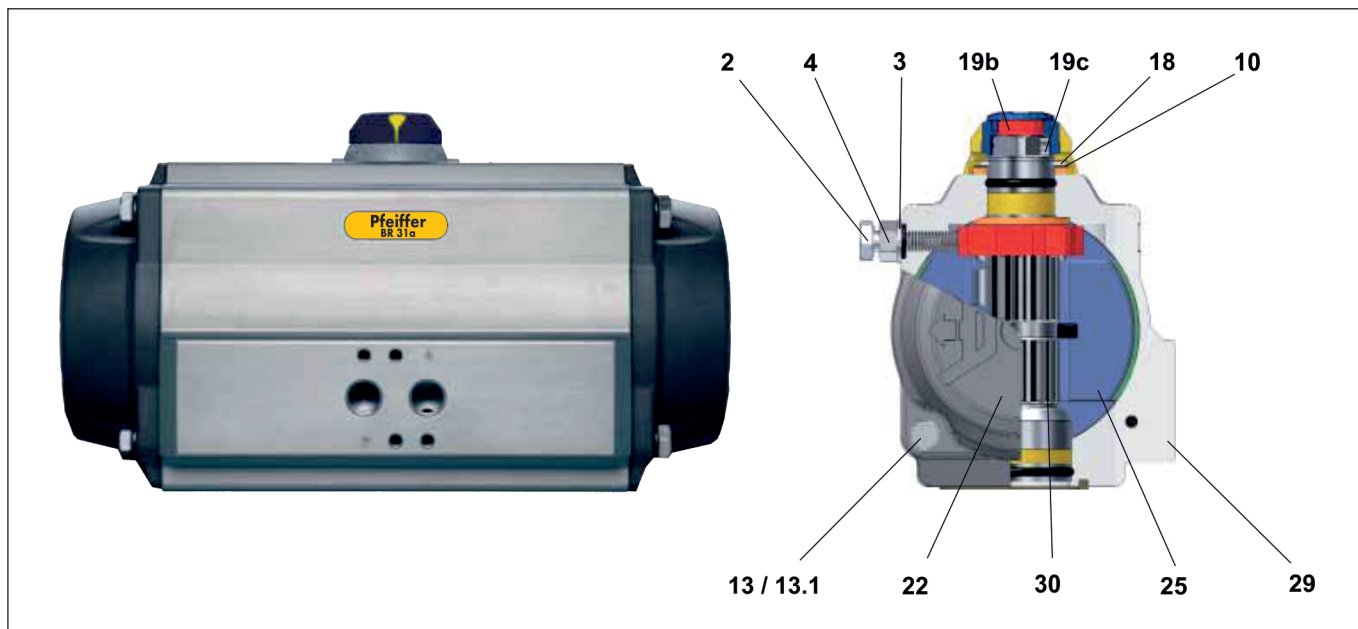


Fig. 3: Quarter-turn actuator BR 31a

Table 1: Parts and Protection

Part No.	Quantity / Note		Description	Material	Corrosion protection	Coating thickness in µm	Colour
2	2	DAP/SRP 15 - 10000	Adjustment screw	Stainless steel A2-70			
3	2	DAP/SRP 15 - 10000	Washer	Stainless steel A2			
4	2	DAP/SRP 15 - 10000	Lock nut	Stainless steel A2-70			
10	1	DAP/SRP 15 - 10000	Washer	Stainless steel AISI 304			
13	8/12/16	DAP/SRP 15 - 10000	Screw (end cap)	Stainless steel A2-70			
13.1	16	DAP/SRP 10000	Washer (end cap)	Stainless steel A2			
18	1	DAP/SRP 15 - 10000	Retaining ring	Spring steel	E.N.P.		
19b	1	DAP/SRP 60 - 10000	Shaft adapter	Extruded aluminium alloy	Anodized	45 - 50	
19c	1	DAP/SRP 60 - 10000	Grub screw	Stainless steel A2-70			
22	2	DAP/SRP 15 - 5000	End cap	Anodized and coated pressure die cast aluminium alloy	Anodized	15 - 20	Dark gray
		DAP/SRP 10000		Cast aluminium alloy			
25	2	DAP/SRP 15 - 5000	Piston	Anodized and coated pressure die cast aluminium alloy	Anodized	15 - 20	Black
		DAP/SRP 10000		Cast aluminium alloy			
29	1	DAP/SRP 15 - 4000	Housing	Extruded aluminium alloy	Anodized	20 - 30	Light gray
		DAP/SRP 5000- 10000		Cast aluminium alloy		15 - 20	Dark gray
30	1	DAP/SRP 15 - 5000	Shaft	Steel	E.N.P.	20 - 25	
		DAP/SRP 10000		Extruded aluminium alloy			Anodized

Note: For all other relevant data, please refer to the technical data sheet of the respective drive size.