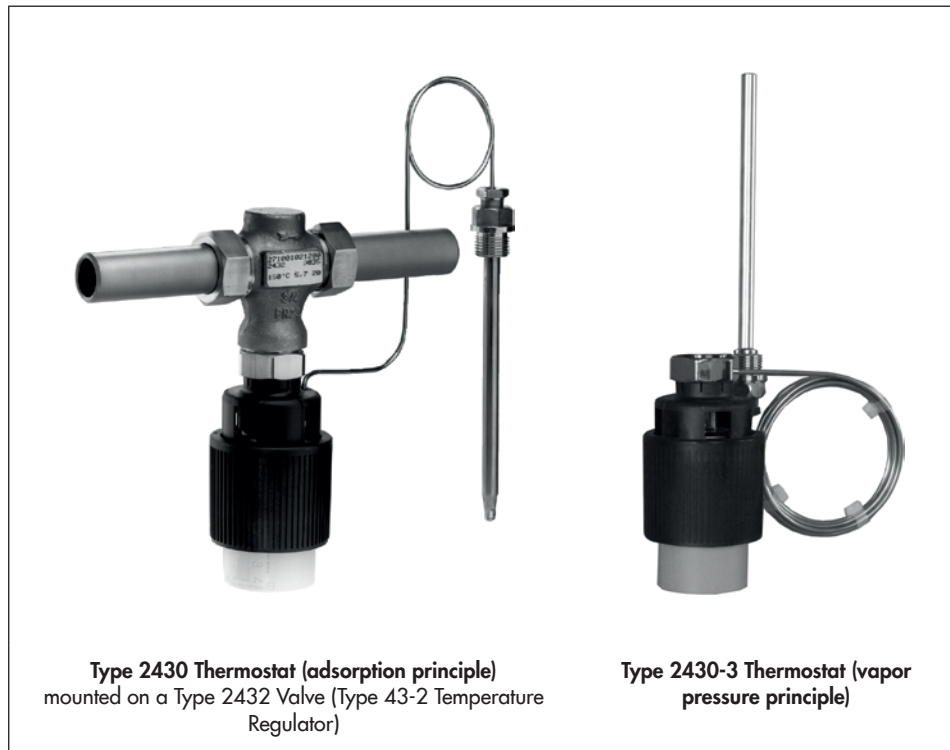


MOUNTING AND OPERATING INSTRUCTIONS



EB 2430 EN

Translation of original instructions



Type 2430 Thermostat (adsorption principle)
mounted on a Type 2432 Valve (Type 43-2 Temperature
Regulator)

**Type 2430-3 Thermostat (vapor
pressure principle)**

Type 2430 Control Thermostat Series 43 Self-operated Temperature Regulators

Edition September 2023



Note on these mounting and operating instructions

These mounting and operating instructions assist you in mounting and operating the device safely. The instructions are binding for handling SAMSON devices. The images shown in these instructions are for illustration purposes only. The actual product may vary.

- For the safe and proper use of these instructions, read them carefully and keep them for later reference.
- If you have any questions about these instructions, contact SAMSON's After-sales Service (aftersalesservice@samsongroup.com).



Documents relating to the device, such as the mounting and operating instructions, are available on our website at www.samsongroup.com > **Service & Support > Downloads > Documentation.**

Definition of signal words

DANGER

Hazardous situations which, if not avoided, will result in death or serious injury

WARNING

Hazardous situations which, if not avoided, could result in death or serious injury

NOTICE

Property damage message or malfunction

Note

Additional information

Tip

Recommended action

1	Safety instructions and measures	1-1
1.1	Notes on possible severe personal injury	1-5
1.2	Notes on possible personal injury	1-5
1.3	Notes on possible property damage	1-7
2	Markings on the device	2-1
2.1	Nameplate of control thermostat	2-1
2.2	Location of the nameplate	2-1
2.3	Material identification number	2-2
3	Design and principle of operation	3-1
3.1	Additional fittings	3-2
3.2	Technical data	3-3
4	Shipment and on-site transport	4-1
4.1	Accepting the delivered goods	4-1
4.2	Removing the packaging from the control thermostat	4-1
4.3	Transporting and lifting the control thermostat	4-1
4.4	Storing the control thermostat	4-2
5	Installation	5-1
5.1	Installation conditions	5-1
5.2	Preparation for installation	5-4
5.3	Mounting	5-6
5.4	Testing the control thermostat	5-7
5.4.1	Leak test	5-7
5.4.2	Pressure test	5-8
5.5	Insulation	5-8
6	Start-up	6-1
6.1	Start-up and putting the device back into operation	6-2
6.1.1	Starting up the plant when vapors and liquids are controlled	6-2
6.1.2	Starting up the plant when vapors are controlled	6-2
7	Operation	7-1
7.1	Adjusting the temperature set point	7-1
8	Malfunctions	8-1
8.1	Troubleshooting	8-1
8.2	Emergency action	8-2

Contents

9	Servicing.....	9-1
9.1	Preparing the valve for service work	9-3
9.2	Installing the control thermostat after service work	9-3
9.3	Service work.....	9-3
9.4	Replacing the control thermostat.....	9-4
9.5	Ordering spare parts and operating supplies	9-4
10	Decommissioning	10-1
11	Removal	11-1
11.1	Removing the control thermostat.....	11-1
12	Repairs	12-1
12.1	Returning devices to SAMSON	12-1
13	Disposal.....	13-1
14	Certificates.....	14-1
15	Annex.....	15-1
15.1	Tightening torques.....	15-1
15.2	Tools	15-1
15.3	Lubricant	15-1
15.4	Spare parts	15-1
15.5	After-sales service	15-2

1 Safety instructions and measures

Intended use

The SAMSON Type 2430 Control Thermostat is a control thermostat that functions according to the vapor pressure principle or the adsorption principle. It is used in combination with a valve (Series 43 Regulators).

The control thermostat functioning according to the adsorption principle is used for liquids, gases and steam. The control thermostat functioning according to the vapor pressure principle (Type 2430-3) is used in instantaneous water heaters. The control thermostats are used to control the temperature of a plant in district heating supply networks to an adjusted set point.

The control thermostat is designed to operate under exactly defined conditions (e.g. operating pressure, temperature etc.). Therefore, operators must ensure that the control thermostat is only used in operating conditions that meet the specifications used for sizing at the ordering stage. In case operators intend to use the control thermostat in other applications or conditions than specified, contact SAMSON.

SAMSON does not assume any liability for damage resulting from the failure to use the device for its intended purpose or for damage caused by external forces or any other external factors.

➔ Refer to the technical data and nameplate for limits and fields of application as well as possible uses.

Reasonably foreseeable misuse

The control thermostat is not suitable for the following applications:

- Use outside the limits defined during sizing and by the technical data
- Use outside the limits defined by the additional fittings mounted on the control thermostat

Furthermore, the following activities do not comply with the intended use:

- Use of non-original spare parts
- Performing service and repair work not described

Safety features

The Type 2430 Control Thermostat does not have any special safety features.

Safety instructions and measures

Qualifications of operating personnel

The control thermostat must be mounted, started up and serviced by fully trained and qualified personnel only; the accepted industry codes and practices must be observed. According to these mounting and operating instructions, trained personnel refers to individuals who are able to judge the work they are assigned to and recognize possible hazards due to their specialized training, their knowledge and experience as well as their knowledge of the applicable standards.

Personal protective equipment

We recommend checking the hazards posed by the process medium being used (e.g.

▶ GESTIS (CLP) hazardous substances database). Depending on the process medium and/or the activity, the protective equipment required includes:

- Protective clothing, safety gloves and eye protection in applications with hot, cold and/or corrosive media
- Wear hearing protection when working near the valve
- Check with the plant operator for details on further protective equipment.

Revisions and other modifications

Revisions, conversions or other modifications of the product are not authorized by SAMSON. They are performed at the user's own risk and may lead to safety hazards, for example. Furthermore, the product may no longer meet the requirements for its intended use.

Warning against residual hazards

To avoid personal injury or property damage, plant operators and operating personnel must prevent hazards that could be caused in the control thermostat by the process medium, the operating pressure or by moving parts by taking appropriate precautions. Plant operators and operating personnel must observe all hazard statements, warning and caution notes in these mounting and operating instructions.

Hazards resulting from the special working conditions at the installation site of the control thermostat must be identified in a risk assessment and prevented through the corresponding safety instructions drawn up by the operator.

We also recommend checking the hazards posed by the process medium being used (e.g.

▶ GESTIS (CLP) hazardous substances database).

- Observe safety measures for handling the device as well as fire prevention and explosion protection measures.

These mounting and operating instructions cover the standard version of the devices and the standard mounting parts. Components that differ to those described in this document can be added or removed. Refer to the mounting and operating instructions of the components not covered in this document for the safety instructions and measures that need to be observed.

Responsibilities of the operator

Operators are responsible for proper use and compliance with the safety regulations.

Operators are obliged to provide these mounting and operating instructions as well as the referenced documents to the operating personnel and to instruct them in proper operation. Furthermore, operators must ensure that operating personnel or third parties are not exposed to any danger.

Operators are additionally responsible for ensuring that the limits for the product defined in the technical data are observed. This also applies to the start-up and shutdown procedures. Start-up and shutdown procedures fall within the scope of the operator's duties and, as such, are not part of these mounting and operating instructions. SAMSON is unable to make any statements about these procedures since the operative details (e.g. differential pressures and temperatures) vary in each individual case and are only known to the operator.

Responsibilities of operating personnel

Operating personnel must read and understand these mounting and operating instructions as well as the referenced documents and observe the specified hazard statements, warnings and caution notes. Furthermore, operating personnel must be familiar with the applicable health, safety and accident prevention regulations and comply with them.

Referenced standards, directives and regulations

The control thermostat complies with the requirements of the European Pressure Equipment Directive 2014/68/EU. Control thermostats with a CE marking have an EU declaration of conformity, which includes information about the applied conformity assessment procedure. This EU declaration of conformity is included in the 'Certificates' section.

According to the ignition risk assessment performed in accordance with Clause 5.2 of ISO 80079-36, the non-electrical control thermostats do not have their own potential ignition source even in the rare incident of an operating fault. As a result, they do not fall within the scope of Directive 2014/34/EU.

→ For connection to the equipotential bonding system, observe the requirements specified in Clause 6.4 of EN 60079-14 (VDE 0165-1).

Safety instructions and measures

Referenced documentation

The following documents apply in addition to these mounting and operating instructions:

- Mounting and operating instructions for
 - e.g. **Temperature regulators for heating applications (Types 43-1, 43-2, 43-5 and 43-7)** ▶ EB 2171

 - e.g. **Temperature regulators for cooling applications (Type 43-6)** ▶ EB 2172

 - e.g. **Temperature regulators for mixing/diverting service (Type 43-3)** ▶ EB 2173

 - e.g. **Type 43-8 Temperature Regulator with Hydraulic Controller for instantaneous water heaters** ▶ EB 2178

- Mounting and operating instructions as well as data sheets for additional fittings (e.g. shut-off valves, pressure gauges etc.).

1.1 Notes on possible severe personal injury

DANGER

Risk of bursting in the regulator.

Regulators and pipelines are pressure equipment. Impermissible pressure in the components or improper opening of the regulator or control thermostat can lead to the components bursting.

- Observe the maximum permissible pressure for the regulator, control thermostat and plant.
- Before starting any work on the regulator and control thermostat, depressurize all plant sections affected.
- Drain the process medium from all the plant sections affected.

1.2 Notes on possible personal injury

WARNING

Damage to health relating to the REACH regulation.

If a SAMSON device contains a substance which is listed as being a substance of very high concern on the candidate list of the REACH regulation, this circumstance is indicated on the SAMSON delivery note.

- Information on safe use of the part affected. ► www.samsongroup.com/en/about-samson/material-compliance/reach-regulation/

1.2 Notes on possible personal injury

WARNING

Risk of personal injury through incorrect operation, use or installation as a result of information on the control thermostat being illegible.

Over time, markings, labels and nameplates on the control thermostat may become covered with dirt or become illegible in some other way. As a result, hazards may go unnoticed and the necessary instructions not followed. There is a risk of personal injury.

- Keep all relevant markings and inscriptions on the device in a constantly legible state.
- Immediately renew damaged, missing or incorrect nameplates or labels.

Risk of burn injuries due to hot or cold components and pipelines.

Depending on the process medium, the control thermostat components and pipelines may get very hot or cold and cause burn injuries.

- Allow components and pipelines to cool down or warm up to the ambient temperature.
- Wear protective clothing and safety gloves.

Risk of fire or explosion as a result of hydrocarbons escaping due to leakage in the Type 2430-3 Control Thermostat or Type 2403 Safety Temperature Monitor.

A small quantity of a flammable mixture of hydrocarbons is used as the operating medium in the Type 2430-3 Control Thermostat (vapor pressure principle) and the Type 2403 Safety Temperature Monitor (STM).

- Mount the control thermostat and safety temperature monitor in such a way that in the event any operating medium escapes as a result of leakage, it cannot come into contact with hot surfaces, sparks, open flames or other ignition sources.

1.3 Notes on possible property damage

! NOTICE

Risk of control thermostat damage due to incorrectly attached slings.

- Do not attach load-bearing slings to the control thermostat.

Risk of leakage and control thermostat damage due to excessively high or low tightening torques.

Observe the specified torques when tightening control thermostat components. Excessive tightening torques lead to parts wearing out more quickly. Parts that are too loose may cause leakage.

- Observe the specified tightening torques (see 'Tightening torques' in Annex).

Risk of control thermostat damage due to the use of unsuitable tools.

Certain tools are required to work on the control thermostat.

- Only use tools approved by SAMSON.
When in doubt, consult SAMSON.

Risk of the process medium being contaminated through the use of unsuitable lubricants and/or contaminated tools and components.

- Keep the control thermostat components and the tools used free from solvents and grease.
- Make sure that only suitable lubricants are used.

Incorrect control due to the formation of ice on the control thermostat.

Medium temperatures below 0 °C may cause ice to form on the control thermostat, depending on the air humidity. This may affect, in particular, the functioning of the plug or control thermostat stem guide.

- Prevent the formation of ice by taking appropriate precautions (e.g. enclosure, trace heater etc.). The plant operator is responsible for selecting and implementing appropriate precautions. See the 'Installation' section.

1.3 Notes on possible property damage

! NOTICE

Risk of irreparable damage to the control thermostat caused by the thermostat components being taken apart.

The control thermostat is an inseparable hydraulic unit consisting of a control thermostat, capillary tube and temperature sensor. If these components are dismantled (e.g. removal of the capillary tube), the control thermostat will be irreparably damaged and will no longer be able to fulfill its control task.

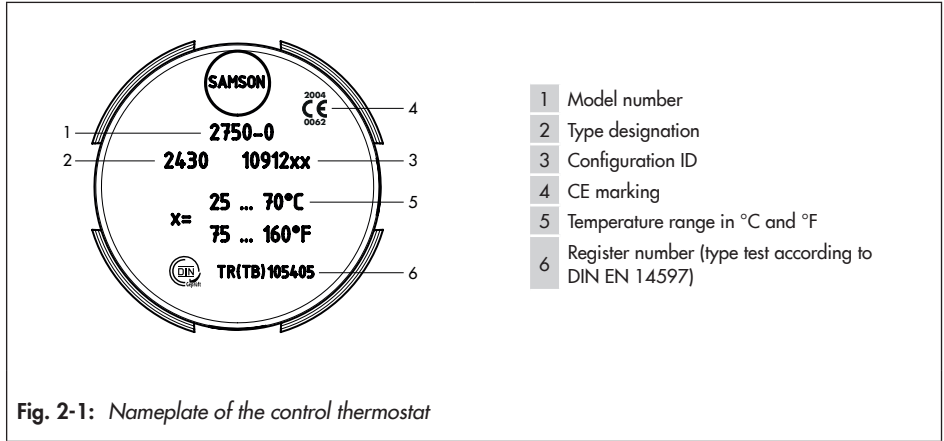
- Do not dismantle the control thermostat.
- Only perform allowed activities on the control thermostat.
- Contact SAMSON's After-sales Service before replacing spare parts.

i Note

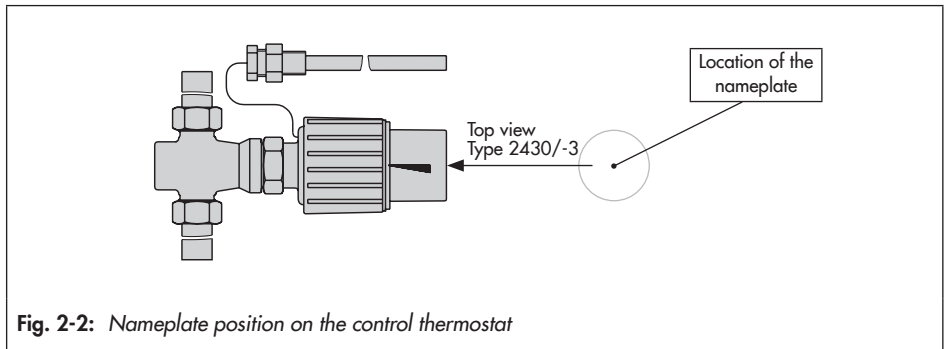
SAMSON's After-sales Service can support you concerning lubricant, tightening torques and tools approved by SAMSON.

2 Markings on the device

2.1 Nameplate of control thermostat



2.2 Location of the nameplate



2.3 Material identification number

Specifying the configuration ID, you can contact us to find out which material is used. The configuration ID is specified on the nameplate ('Top view' /3).

For more details on the nameplate, see section 2.1.

3 Design and principle of operation

→ See Fig. 3-1

The Type 2430 Control Thermostat with set point adjuster, capillary tube and temperature sensor is mounted to a valve (Series 43 Regulators). The control thermostat for standard temperature control operates according to the adsorption principle. The control thermostat for instantaneous water heating operates according to the vapor pressure principle.

The temperature of the medium creates a pressure in the sensor (19) which is proportional to the measured temperature. This pressure is transferred through the capillary tube (10) to the operating element (13) and converted into a positioning force. The valve stem is moved by the operating bellows (9) and pin of the operating element (12).

By turning the set point adjuster (8), the point of response and the set point are changed over the spring (7).

The control thermostat operating according to the adsorption principle is filled with CO₂, whereas the control thermostat operating according to the vapor pressure principle contains a hydrocarbon mixture.

Due to their design, control thermostats functioning according to the adsorption principle can be mounted in any position. The design of vapor pressure thermostats necessitates a certain mounting position of the sensor and use without thermowell.

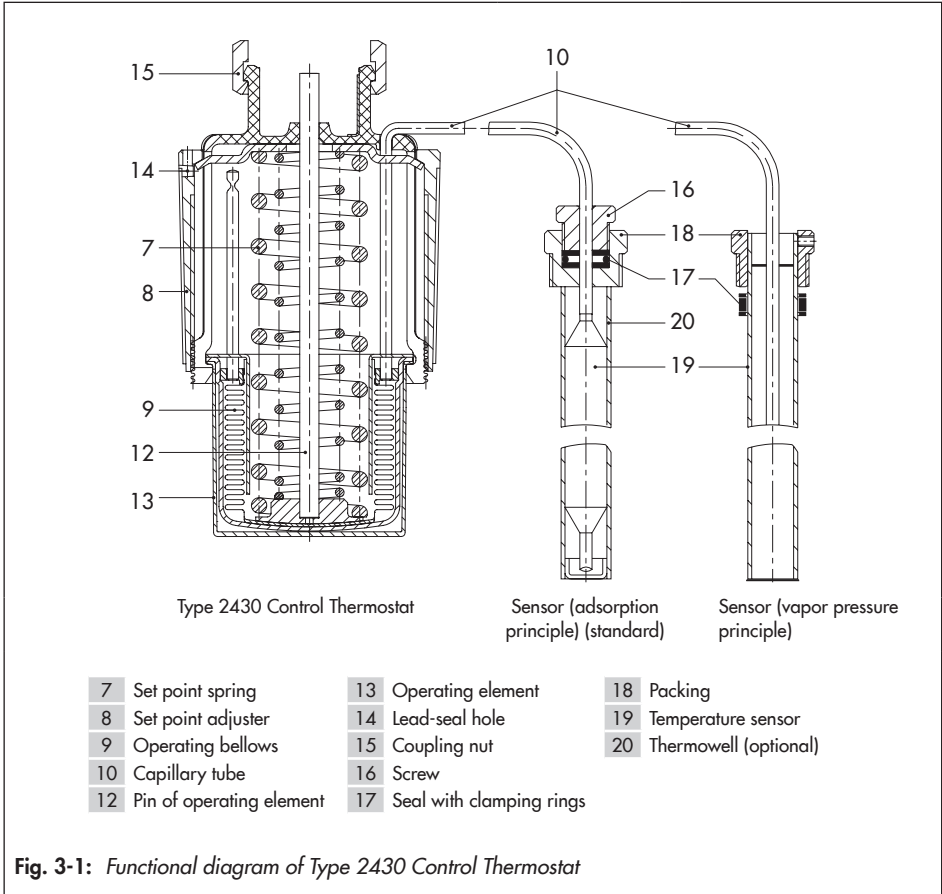
Version with safety thermostat

When a Type 2439 or Type 2403 Safety Thermostat is attached to the control thermostat, this combination functions as a safety temperature limiter (TR/STL) or a safety temperature monitor (TR/STM).

Details in mounting and operating instructions

▶ EB 2185 (STL); ▶ EB 2083 (STM).

Design and principle of operation



3.1 Additional fittings

Thermometer

Install a thermometer (4) downstream of the regulator to monitor the temperature prevailing in the plant.

Insulation

Control thermostats can be insulated to reduce heat energy transfer. Refer to the instructions in the 'Installation' section.

3.2 Technical data

The nameplate on the control thermostat provides information on the version (see the 'Markings on the device' section).

Process medium and scope of application

Temperature regulators for district heating systems, heat generators, heat exchangers and other HVAC and industrial applications. The Type 2430 Control Thermostat is designed to maintain the temperature to the adjusted set point.

- Suitable for **liquids, gases and steam**
- Temperature set points **from 0 to 150 °C/32 to 300 °F**

Conformity

The Type 2430 Control Thermostat bears the CE mark of conformity.

Noise emissions

SAMSON is unable to make general statements about noise emissions. The noise emissions depend on the regulator version, plant facilities, process medium and operating conditions.

Temperature range

Depending on how the Type 2430 Control Thermostat is configured, it can be used up to max. 150 °C/300 °F. Permissible ambient temperature -20 to +80 °C/-4 to +176 °F (see Table 3-1).

Dimensions and weights

Table 3-3 provides a summary of the dimensions and weights. The lengths and heights in the dimensional drawings are shown on page 3-4.

Table 3-1: *Technical data · All pressures in bar (gauge)*

Type 2430 Control Thermostat		
Set point range ¹⁾ (continuously adjustable)	DIN	0 to 35 °C · 25 to 70 °C · 40 to 100 °C 50 to 120 °C · 70 to 150 °C
	ANSI	32 to 95 °F · 77 to 158 °F · 104 to 212 °F 122 to 248 °F · 158 to 302 °F
Capillary tube		2 m · 5 m ²⁾ /6.56 ft · 16.4 ft ²⁾
Max. perm. temperature at the sensor		50 K above the adjusted set point
Permissible ambient temperature range		-20 to +80 °C ³⁾ /-4 to +176 °F ³⁾
Perm. pressure at sensor		PN 25/Class 150
Permissible pressure at thermowell		PN 40 or 100 ²⁾ /Class 300 or 600 ²⁾
Conformity		CE

¹⁾ Further set point ranges on request
²⁾ Special version

³⁾ At temperatures below freezing: ice formation may damage the plant and especially the valve

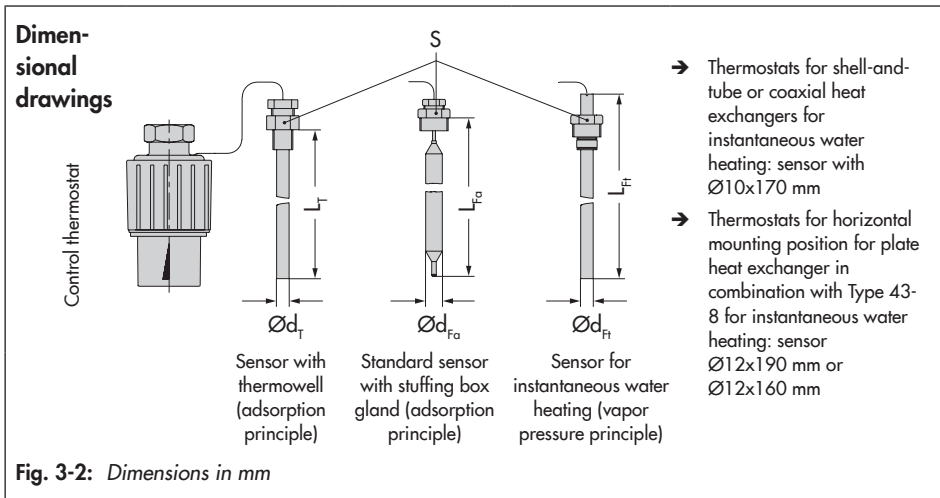
Design and principle of operation

Table 3-2: Materials · Material number according to DIN EN

Type 2430 Control Thermostat		
Set point adjuster		PTFE, glass fiber reinforced
Packing		EPDM soft seal for water · NBR soft seal for oil
Temperature sensor	Capillary tube	Copper
	Thermowell	Copper or stainless steel 1.4310

Table 3-3: Dimensions in mm and weights in kg

Type 2430 Control Thermostat			
For valve size	DIN		ANSI
	DN 15 to 25	DN 32 to 50	½ NPT to 1 NPT
Screw gland S	G ½	G ¾	½ NPT
Length	L_f and L_{Fa}	185 mm	7.28 inch
	L_{Fi}	190 mm	7.48 inch
$\varnothing d_T$	12 mm	19 mm	0.47 inch
$\varnothing d_{Fa}$	9.5 mm	16 mm	0.37 inch
$\varnothing d_{Fi}$	12 mm		0.47 inch
Weight of Type 2430 Control Thermostat			
Control thermostat (approx.)	0.7 kg/1.5 lb		
Thermowell (approx.)	0.2 kg/0.4 lb		



4 Shipment and on-site transport

The work described in this section is only to be performed by personnel appropriately qualified to carry out such tasks.

4.1 Accepting the delivered goods

After receiving the shipment, proceed as follows:

1. Check the scope of delivery. Check that the specifications on the nameplate match the specifications in the delivery note. See the 'Markings on the device' section for nameplate details.
2. Check the shipment for transportation damage. Report any damage to SAMSON and the forwarding agent (refer to delivery note).
3. Determine the weight and dimensions of the units to be lifted and transported in order to select the appropriate lifting equipment and lifting accessories. Refer to the transport documents and the 'Design and principle of operation' section.

4.2 Removing the packaging from the control thermostat

The control thermostat is delivered as single component.

- Do not open or remove the packaging until immediately before lifting to install the control thermostat into the pipeline.
- Leave the control thermostat in its transport container or on the pallet to transport it on site.
- Dispose and recycle the packaging in accordance with the local regulations.

4.3 Transporting and lifting the control thermostat

Due to the low service weight, lifting equipment is not required to lift and transport the control thermostat (e.g. to install it into the pipeline).

- Leave the control thermostat in its transport container or on the pallet to transport it.
- Observe the transport instructions.

Transport instructions

- Protect the control thermostat against external influences (e.g. impact).
- Do not damage the corrosion protection (paint, surface coatings). Repair any damage immediately.
- Protect the control thermostat against moisture and dirt.
- The permissible ambient temperature of the control thermostat is between -20 and $+80$ °C/ -4 to $+175$ °F.

4.4 Storing the control thermostat

! NOTICE

Risk of damage to the control thermostat due to improper storage.

- *Observe the storage instructions.*
- *Avoid long storage times.*
- *Contact SAMSON in case of different storage conditions or longer storage times.*

i Note

We recommend regularly checking the control thermostat and the prevailing storage conditions during long storage periods.

💡 Tip

SAMSON's After-sales Service can provide more detailed storage instructions on request.

Storage instructions

- Protect the control thermostat against external influences (e.g. impact).
- Secure the control thermostat in the stored position against slipping or tipping over.
- Do not damage the corrosion protection (paint, surface coatings). Repair any damage immediately.
- Protect the control thermostat against moisture and dirt. Store it at a relative humidity of less than 75 %. In damp spaces, prevent condensation. If necessary, use a drying agent or heating.
- Make sure that the ambient air is free of acids or other corrosive media.
- The permissible storage temperature of the control thermostat is between -20 and $+65$ °C / -4 to $+150$ °F.
- Do not place any objects on the control thermostat.

5 Installation

The work described in this section is only to be performed by personnel appropriately qualified to carry out such tasks.

Valve and control thermostat can be assembled before or after the valve has been installed in the pipeline. We recommend first installing the valve without the control thermostat into the pipeline.

5.1 Installation conditions

Work position

The work position for the control thermostat is the front view onto the operating controls on the regulator (including any additional fittings) seen from the position of operating personnel.

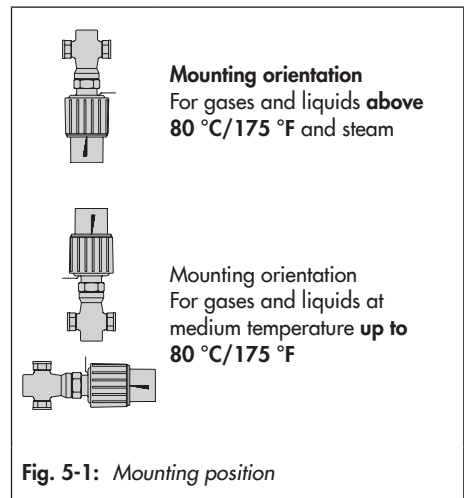
Plant operators must ensure that, after installation of the device, the operating personnel can perform all necessary work safely and easily access the device from the work position.

Pipeline routing

- Observe the recommended inlet and outlet lengths (see the mounting and operating instructions of the corresponding regulator as listed under 'Referenced documentation' in the 'Safety instructions and measures' section).
- Install the regulator and control thermostat free of stress and with the least amount of vibrations as possible. Read information under 'Mounting position',

'Temperature sensor (adsorption principle) for Type 2430', 'Temperature sensor (vapor pressure principle) for Type 2430-3' and 'Installation with thermowell'.

- Install the regulator allowing sufficient space to remove the control thermostat and valve or to perform service work on them.



Mounting position

To ensure that the control thermostat and regulator function properly, proceed as follows:

- The control thermostat can be mounted in any position on the valve when the medium temperature is up to 80 °C/175 °F.
- At medium temperatures above 80 °C/175 °F and with steam, install the valve with the control thermostat suspended downward in horizontal pipelines (see Fig. 5-1).

Installation

→ Contact SAMSON if the mounting position is not as specified above.

Temperature sensor (adsorption principle) for Type 2430

→ See Fig. 5-2 and Table 5-1

NOTICE

Galvanic corrosion due to incorrectly selected materials of the mounting parts.
On installing the sensor or thermowell, only combine the same kind of materials (e.g. stainless steel with stainless steel or copper together with other copper materials).

The temperature sensor (19), even together with a thermowell (20), can be installed in any position as required. However, make sure its entire length is immersed in the process medium to be controlled. It must be installed in a location where overheating or considerable idling times cannot occur.

Note

If the sensor is to be used with a thermowell, only use original SAMSON thermowells.

Weld a welding socket with G ½ or G ¾ female thread (to match the screw gland) at the place of installation.

→ Seal the screw gland of the sensor.

Temperature sensor (vapor pressure principle) for Type 2430-3

– See Fig. 5-3 and Table 5-1

WARNING

Risk of fire or explosion as a result of hydrocarbons escaping due to leakage in the Type 2430-3 Control Thermostat or Type 2403 Safety Temperature Monitor.

A small quantity of a flammable mixture of hydrocarbons is used as the operating medium in the Type 2430-3 Control Thermostat (vapor pressure principle) and the Type 2403 Safety Temperature Monitor (STM).

→ Mount the control thermostat and safety temperature monitor in such a way that in the event any operating medium escapes as a result of leakage, it cannot come into contact with hot surfaces, sparks, open flames or other ignition sources.

The mounting position of the temperature sensor (19) depends on the installation situation. The sensor must be immersed in the process medium up to the marking on it. It must be installed in a location where overheating or considerable idling times cannot occur. Additionally, observe the mounting position of the sensor (see Fig. 5-3).

Weld a welding socket with G ½ or G ¾ female thread (to match the screw gland) at the place of installation or screw in a sensor pocket (when installed in a heat exchanger).

→ Seal the screw gland of the sensor.

Installation with thermowell

When a thermowell is used, a welding socket with G 1 female thread must be used.

1. Seal the thermowell into the welding socket.
2. Insert the sensor and tighten it with the clamping screw.

i Note

For temperature regulators with safety temperature limiter (TR/STL), install the sensor of the limiter near the sensor of the regulator.

Dynamic behavior of Type 2430 and Type 2430-3 Control Thermostats

The dynamics of the regulator are mainly determined by the response of the sensor with its characteristic time constant. Table 5-1 shows the dynamic behavior of the Type 2430 and Type 2430-3 Control Thermostats measured in water.

Capillary tube

Carefully run the capillary tube without bending or twisting it. Avoid locations with considerable ambient temperature fluctuations along the entire length of the tube.

i Note

Do not damage or shorten the capillary tube. Roll up any capillary tube that is not used. The smallest permissible bending radius is 50 mm.

Support and suspension

i Note

The plant engineering company is responsible for selecting and implementing a suitable support or suspension of the installed regulator with control thermostat and the pipeline.

Depending on the regulator version and mounting position, the regulator and pipeline must be supported or suspended.

! NOTICE

Do not attach supports directly to the regulator or control thermostat.

5.2 Preparation for installation

Before installation, make sure the following conditions are met:

- The control thermostat is clean.
- The control thermostat is not damaged.
- The data of the control thermostat on the nameplate (type designation and temperature range) match the plant conditions (medium temperature etc.). See the 'Markings on the device' section for nameplate details.
- The requested or required additional fittings have been installed or prepared as necessary before installing the valve and control thermostat (see the 'Design and principle of operation' section).

Proceed as follows:

- Lay out the necessary material and tools to have them ready during installation work.
- Flush the pipeline **before** installing the regulator.
The plant operator is responsible for cleaning the pipelines in the plant.
- Check any mounted thermometers to make sure they function properly.

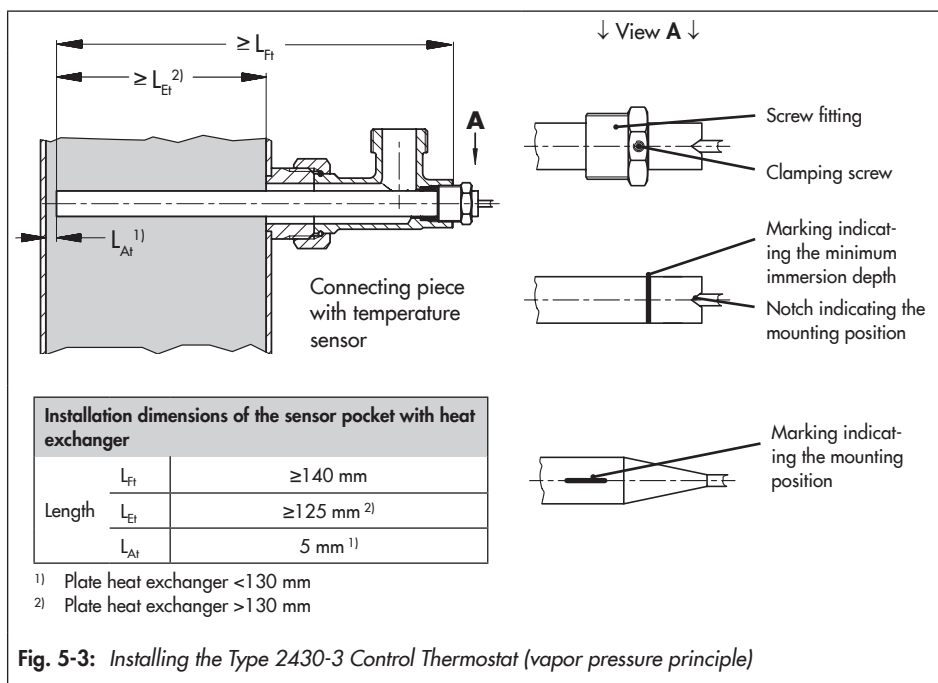
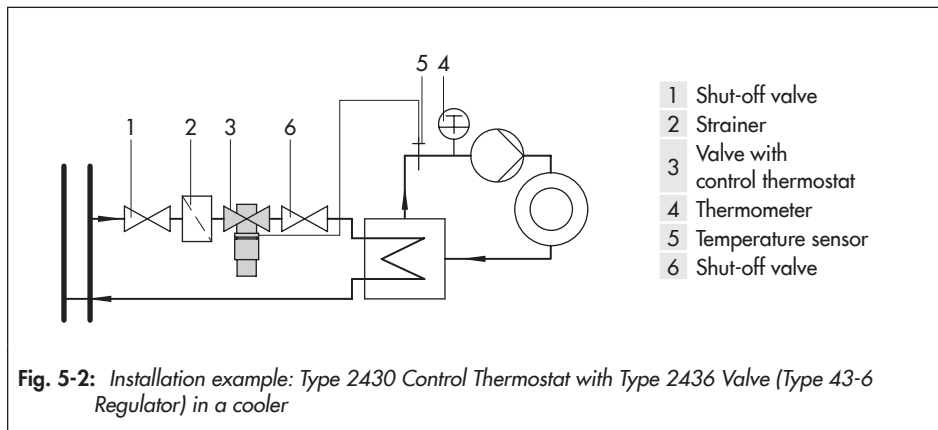
i Note

The plant operator is responsible for cleaning the pipelines in the plant.

Table 5-1: Dynamic behavior and mounting position of Type 2430 and Type 2430-3 Control Thermostats

Type	Principle of operation	Sensor mounting position	Sensor Ø	Time constant [s]	
				Without thermowell	With thermowell
2430	Adsorption principle	Any mounting position possible	9.5 mm/0.37 in	15	40
			16 mm	30	80
			Air sensor	8	
2430-3	Vapor pressure principle	- Horizontal mounting position - Vertical mounting position with: Sensor tip pointing upwards or Sensor tip pointing downwards	10 mm/0.39 in	3	- ¹⁾
			12 mm/0.47 in		

¹⁾ Thermowell not possible



5.3 Mounting

The control thermostat is delivered as single component. The activities listed below are necessary for installation and before start-up of the regulator with control thermostat.

! NOTICE

Risk of control thermostat damage due to excessively high or low tightening torques. Observe the specified torques when tightening control thermostat components. Excessive tightening torques lead to parts wearing out more quickly.

→ Observe the specified tightening torques (see 'Tightening torques' in Annex).

! NOTICE

Risk of control thermostat damage due to the use of unsuitable tools.

→ Only use tools approved by SAMSON (see 'Tools' in Annex).

Installing the control thermostat

1. Close the shut-off valves upstream and downstream of the point where the sensor is installed while the control thermostat is being installed. Drain the process medium from this pipe section, if necessary.
2. Fasten the sensor with screw gland or thermowell in the pipeline. When installed in a heat exchanger, use a sensor pocket to fasten the sensor with screw gland.
3. Make sure that the correct gaskets are used.
4. Slowly open the shut-off valves in the pipeline after the control thermostat has been installed.

5.4 Testing the control thermostat

DANGER

Risk of personal injury due to process medium escaping.

→ Do not start up the regulator and control thermostat until all parts have been mounted.

DANGER

Risk of bursting due to incorrect opening of pressurized equipment or components.

Regulators and pipelines are pressure equipment that may burst when handled incorrectly. Flying projectile fragments or the release of process medium under pressure can cause serious injury or even death.

Before working on the regulator:

- Depressurize all plant sections concerned and the regulator.
- Drain the process medium from all the plant sections concerned as well as the valve.

WARNING

Risk of burn injuries due to hot or very cold components and pipelines.

Depending on the process medium, the regulator and pipelines may get very hot or cold and cause burn injuries.

→ Wear protective clothing and safety gloves.

SAMSON control thermostats are delivered ready for use. To test the functioning of the regulator and control thermostat before start-up or putting back the regulator and control thermostat into operation, perform the following tests:

5.4.1 Leak test

The plant operator is responsible for performing the leak test and selecting the test method. The leak test must comply with the requirements of the national and international standards that apply at the site of installation.

Tip

SAMSON's After-sales Service can support you to plan and perform a leak test for your plant.

1. Slowly open the shut-off valve installed upstream of the sensor.
2. Apply the required test pressure.
3. Check the screw gland of the sensor or thermowell for leakage.
4. Depressurize the pipeline section where the sensor is installed.
5. Rework any parts that leak and repeat the leak test.

5.4.2 Pressure test

i Note

The plant operator is responsible for performing the pressure test. SAMSON's After-sales Service can support you to plan and perform a pressure test for your plant.

During the pressure test, make sure the following conditions are met:

- Do not allow the pressure to exceed the 1.5 times the pressure rating of the sensor or thermowell.

5.5 Insulation

To insulate cold systems, we recommend first filling the plant and carefully rinsing it. The regulator must not yet be insulated at this stage.

! NOTICE

Risk of regulator damage due to incorrect insulation.

- *Only insulate the regulator up to the control thermostat for medium temperatures below 0 °C/32 °F or above 80 °C/175 °F.*
-

1. Start up the plant and adjust the set point (see the 'Start-up' section).
2. Shut down the plant again and let it heat up until the condensation water has dried off.
3. Insulate the regulator and pipes conveying the process medium using insulation material with a water vapor barrier. If an external control line is to be routed through the insulation, special care must be taken with the sealing since slight changes in shape may occur. The insulation thickness depends on the medium temperature and the ambient conditions. 50 mm is a typical thickness.

6 Start-up

The work described in this section is only to be performed by personnel appropriately qualified to carry out such tasks.

⚠ DANGER

Risk of personal injury due to process medium escaping.

→ *Do not start up the regulator and control thermostat until all parts have been mounted.*

⚠ WARNING

Risk of burn injuries due to hot or cold components and pipeline.

Control thermostat components and the pipeline may become very hot or cold. Risk of burn injuries.

→ *Allow components and pipelines to cool down or warm up to the ambient temperature.*

→ *Wear protective clothing and safety gloves.*

ℹ NOTICE

Risk of overheating due to excessive ambient temperatures or insufficient heat dissipation when components are insulated.

– *Do not include the control thermostat in the insulation of the pipeline.*

Before start-up or putting the regulator back into service, make sure the following conditions are met:

- The regulator and control thermostat are properly installed into the pipeline (see the 'Installation' section).
- The leak and function tests have been completed successfully (see the 'Testing the control thermostat' section).
- The prevailing conditions in the plant section concerned meet the control thermostat sizing requirements (see information under 'Intended use' in the 'Safety instructions and measures' section).

6.1 Start-up and putting the device back into operation

1. Depending on the field of application, allow the regulator and control thermostat to cool down or warm up to reach ambient temperature before start up.
2. Check the control thermostat to ensure it functions properly.

6.1.1 Starting up the plant when vapors and liquids are controlled

1. Open the shut-off valves slowly preferably starting from the upstream pressure side of the regulator and control thermostat. Afterwards, open all the valves on the consumer side (downstream of the regulator).
2. Fill the plant **slowly** with the process medium. Avoid pressure surges.
3. Make sure that the pressure rises simultaneously upstream and downstream of the regulator and control thermostat to avoid damaging it.
4. To start up the regulator and control thermostat, open shut-off valves **slowly**.
5. Check the adjusted temperature set point at the thermometer installed near the temperature sensor.

6.1.2 Starting up the plant when vapors are controlled

1. Completely drain and dry steam lines to prevent water hammering.
2. Slowly allow the steam to enter the plant to ensure that the pipes and valves warm up evenly and to avoid excessive flow velocities.
3. Before the full capacity is reached, drain off the start-up condensate.
4. Make sure that the air contained in the plant escapes as quickly as possible.
5. Open the shut-off valves slowly preferably starting from the upstream pressure side of the regulator.
6. Avoid pressure surges.
7. Check the adjusted temperature set point at the thermometer installed near the temperature sensor.

7 Operation

Immediately after completing start-up or placing the regulator and control thermostat back into service (see the 'Start-up' section), the regulator is ready for use.

⚠ WARNING

Risk of burn injuries due to hot or cold components and pipeline.

Control thermostat components and the pipeline may become very hot or cold. Risk of burn injuries.

- *Allow components and pipelines to cool down or warm up to the ambient temperature.*
- *Wear protective clothing and safety gloves.*

7.1 Adjusting the temperature set point

Adjust the required set point by turning the set point adjuster (43) by hand. The adjustment diagrams (see Fig. 7-4) can be used as a guide to find the first approximate value.

Set point adjuster

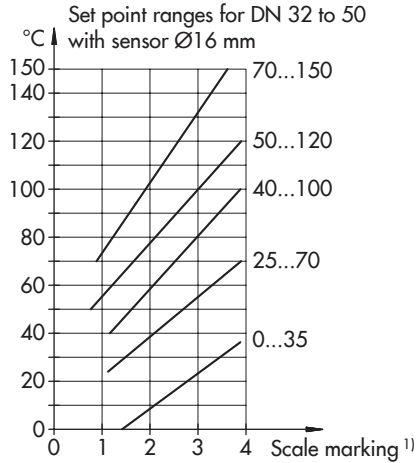
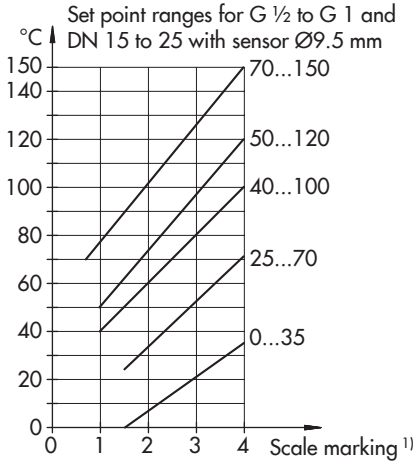
- Turn the set point adjuster clockwise (↻) to reduce the temperature set point.
- Turn the set point adjuster counterclockwise (↺) to increase the temperature set point.

The thermometer (4) installed on the downstream side on site allows the adjusted set point to be monitored.

i Note

Control thermostats (adsorption principle): higher set point temperatures can be adjusted in increments as required. However, to lower the set point temperature, proceed in steps of 10 to 20 °C/50 to 68 °F. When doing so, wait for the process medium to cool down before continuing. Watch the thermometer.

Type 2430 (adsorption principle, DIN)



Type 2430 (adsorption principle, ANSI)

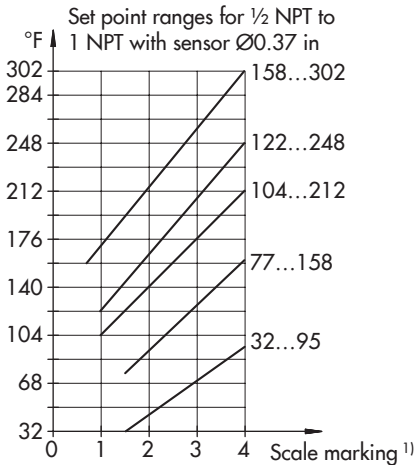
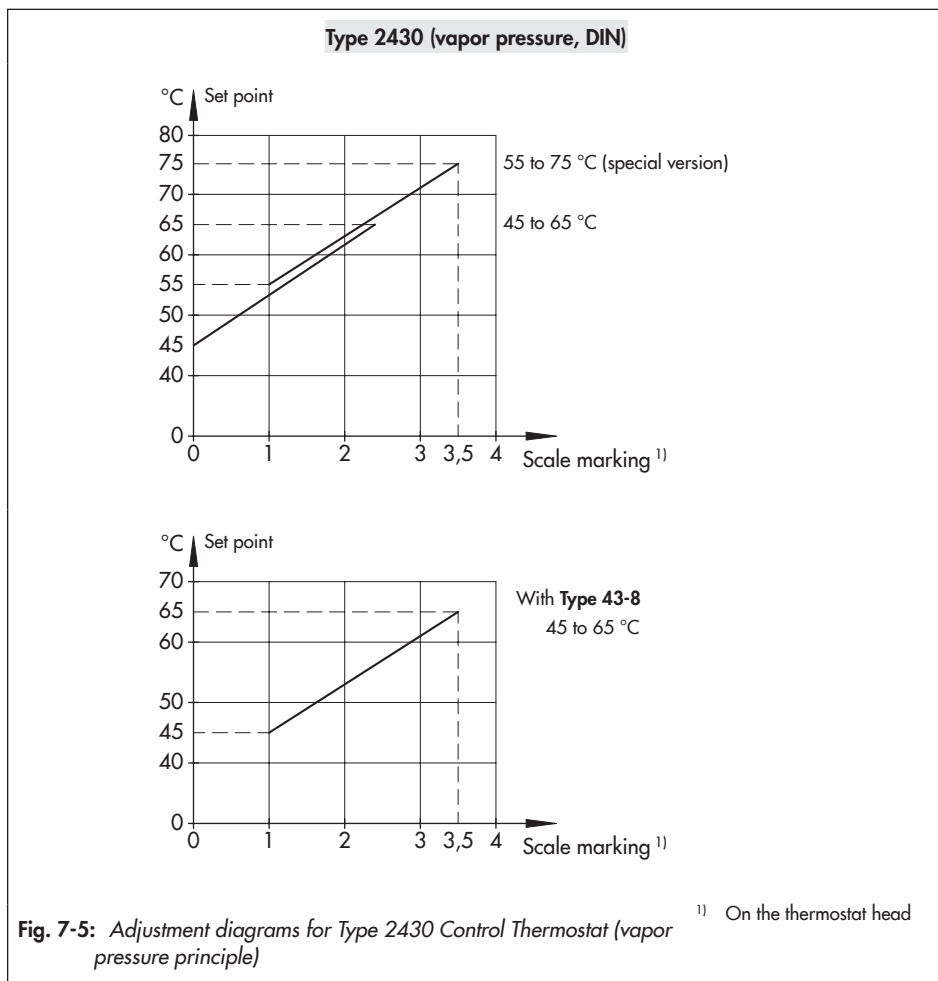


Table 7-2: Set point ranges for Type 2430 Control Thermostat (adsorption principle)

Set point range	Set point change per turn	Sensor Ø
0 to 35 °C 32 to 95 °F	2.5 °C/36.5 °F	9.5 mm/0.37 in
	2 °C	16 mm
25 to 70 °C 77 to 158 °F	3 °C/37.4 °F	9.5 mm/0.37 in
	2 °C	16 mm
40 to 100 °C 104 to 212 °F	4 °C/39.2 °F	9.5 mm/0.37 in
	3 °C	16 mm
50 to 120 °C 122 to 248 °F	4 °C/39.2 °F	9.5 mm/0.37 in
	4.5 °C	16 mm
70 to 150 °C 158 to 302 °F	4.5 °C/40.1 °F	9.5 mm/0.37 in
	5 °C	16 mm

Fig. 7-4: Adjustment diagrams for Type 2430 Control Thermostat (adsorption principle)

¹⁾ On the thermostat head



8 Malfunctions

8.1 Troubleshooting

To identify the exact cause for the malfunction and to rectify it, the associated valve must also be taken into account. Full troubleshooting instructions are listed in the corresponding mounting and operating instructions of the regulator (see documents listed under 'Referenced documentation' in the 'Safety instructions and measures' section).

Malfunction	Possible reasons	Recommended action
Temperature at the sensor exceeds or falls below the set point.	Sensor installed in the wrong location.	→ Change the mounting position.
	Sensor installed incorrectly.	→ Immerse the temperature sensor with its entire immersion depth in the process medium. → Avoid an installation site where idle times or heat buildup can occur.
	Control thermostat defective	→ Replace the control thermostat.
Temperature at the sensor fluctuates.	Sensor installed in the wrong location.	→ Change the mounting position.
	Sensor installed incorrectly.	→ Immerse the temperature sensor with its entire immersion depth in the process medium. → Avoid an installation site where idle times or heat buildup can occur.
Slow control response	Time constant is too large for the control loop.	→ Fill the thermowell with thermal paste or remove the thermowell. → Use a sensor with smaller time constant (e.g. vapor pressure thermostat).
	Sensor installed incorrectly.	→ Immerse the temperature sensor with its entire immersion depth in the process medium. → Avoid an installation site where idle times or heat buildup can occur.
Leak between control thermostat and valve	Valve seal defective	→ Contact SAMSON's After-sales Service.

i Note

Contact SAMSON's After-sales Service for malfunctions not listed in the table.

Malfunctions

The malfunctions listed in section 8.1 are caused by mechanical faults and incorrect regulator sizing. In the simplest case, the functioning can be restored following the recommended action. Special tools may be required to rectify the fault.

Exceptional operating and installation conditions may lead to changed situations that may affect the control response and lead to malfunctions. For troubleshooting, the conditions, such as installation, process medium, temperature and pressure conditions, must be taken into account.



Tip

SAMSON's After-sales Service can support you in drawing up an inspection and test plan for your plant.

8.2 Emergency action

Plant operators are responsible for emergency action to be taken in the plant.

We recommend removing the regulator and control thermostat from the pipeline before repairing it.

In the event of a regulator or control thermostat malfunction:

1. Close the shut-off valves upstream and downstream of the regulator and control thermostat to stop the process medium from flowing through the regulator.
2. Perform troubleshooting (see section 8.1).
3. Rectify those malfunctions that can be remedied based on the instructions provided here and in the documents listed under 'Referenced documentation' in the 'Safety instructions and measures' section. Contact SAMSON's After-sales Service in all other cases.

Putting the regulator back into operation after a malfunction

See the 'Start-up' section.

9 Servicing

The control thermostat does not require any maintenance. Nevertheless, it is subject to natural wear. Depending on the operating conditions, check the control thermostat at regular intervals to avoid possible malfunctions. Plant operators are responsible for drawing up an inspection and test plan. Details on faults and how to remedy them can be found in the 'Malfunctions' section.

The work described in this section is only to be performed by personnel appropriately qualified to carry out such tasks.

We recommend removing the regulator and control thermostat from the pipeline before performing any maintenance or service work.

WARNING

Risk of burn injuries due to hot or cold components and pipeline.

Control thermostat components and the pipeline may become very hot or cold. Risk of burn injuries.

- ➔ Allow components and pipelines to cool down or warm up to the ambient temperature.
- ➔ Wear protective clothing and safety gloves.

NOTICE

Risk of control thermostat damage due to excessively high or low tightening torques.

Observe the specified torques when tightening control thermostat components. Excessive tightening torques lead to parts wearing out more quickly. Parts that are too loose may cause leakage.

- ➔ Observe the specified tightening torques (see 'Tightening torques' in Annex).

NOTICE

Risk of control thermostat damage due to the use of unsuitable tools.

- ➔ Only use tools approved by SAMSON (see 'Tools' in Annex).

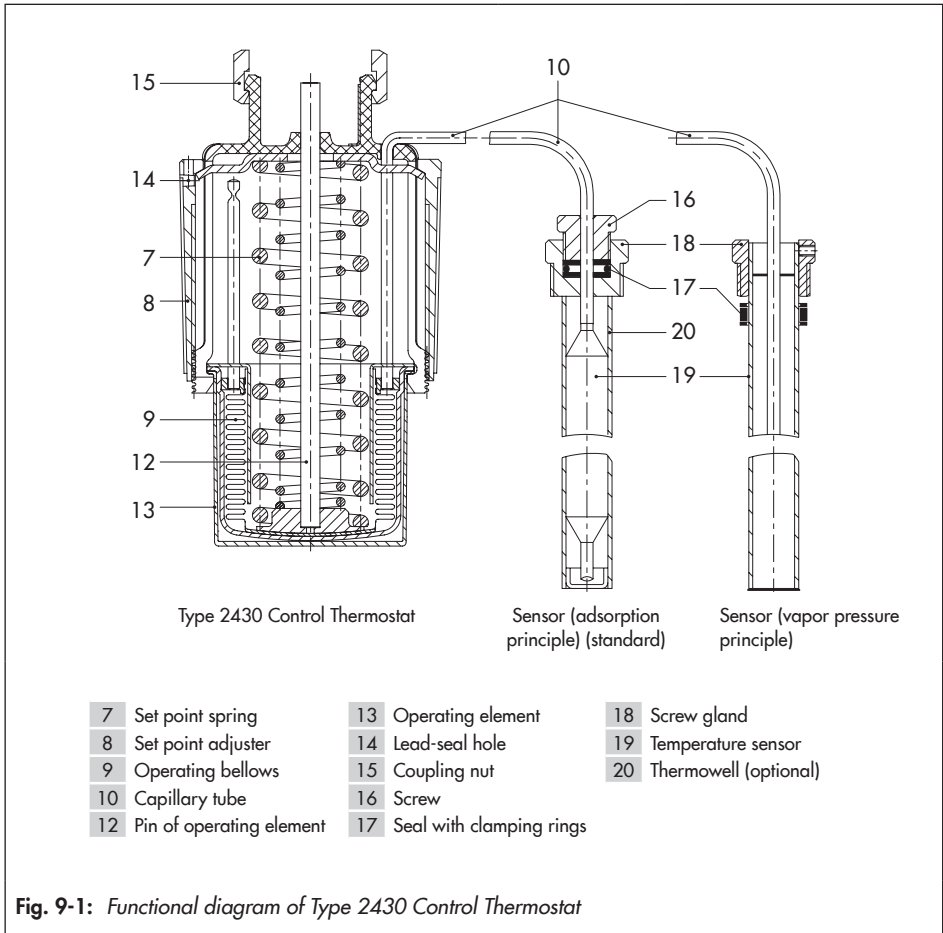
Note

The control thermostat was checked by SAMSON before it left the factory.

- The product warranty becomes void if service or repair work not described in these instructions is performed without prior agreement by SAMSON's After-sales Service.
- Only use original spare parts by SAMSON, which comply with the original specifications.

Tip

SAMSON's After-sales Service can support you in drawing up an inspection and test plan for your plant.



9.1 Preparing the valve for service work

1. Lay out the necessary material and tools to have them ready for the service work.
2. Put the control thermostat out of operation (see the 'Decommissioning' section).

**Tip**

We recommend removing the regulator and control thermostat from the pipeline before performing any service work (see the 'Removing the control thermostat from the pipeline' section).

The following service work can be performed after preparation is completed:

- Replacing the control thermostat (see section 9.4)

9.2 Installing the control thermostat after service work

- Put the control thermostat back into operation (see the 'Start-up' section). Make sure the requirements and conditions for start-up or putting the device back into operation are met.

9.3 Service work

- Before performing any service work, preparations must be made to the regulator and control thermostat (see section 9.1).
- After all service work is completed, check the regulator and control thermostat before putting them back into operation (see the 'Testing the control thermostat' section).

9.4 Replacing the control thermostat

NOTICE

Risk of control thermostat damage due to excessively high or low tightening torques. Observe the specified torques when tightening control thermostat components. Excessive tightening torques lead to parts wearing out more quickly.

→ Observe the specified tightening torques (see 'Tightening torques' in Annex).

NOTICE

Risk of control thermostat damage due to the use of unsuitable tools.

Only use tools approved by SAMSON (see 'Tools' in Annex).

→ Refer to Fig. 9-1.

Removing the control thermostat

1. Unscrew the coupling nut (15) from the valve and remove the control thermostat.
2. Pull the sensor out of the thermowell. In cases where a thermowell is not used or a sensor pocket is used, unscrew the screw gland and pull out the sensor.

Mounting the control thermostat

1. Insert the sensor into the thermowell. In cases where a thermowell is not used or a sensor pocket is used, insert the sensor and tighten the screw gland.
2. Fasten the control thermostat on the valve using the coupling nut (15). Observe the specified tightening torques (see 'Tightening torques' in Annex).

9.5 Ordering spare parts and operating supplies

Contact your nearest SAMSON subsidiary or SAMSON's After-sales Service for information on spare parts, lubricants and tools.

Spare parts

There are no spare parts available for the control thermostats.

Lubricant

Contact SAMSON's After-sales Service for more information on lubricants.

Tools

Contact SAMSON's After-sales Service for more information on tools.

10 Decommissioning

The work described in this section is only to be performed by personnel appropriately qualified to carry out such tasks.

DANGER

Risk of bursting due to incorrect opening of pressurized equipment or components.

Regulators and pipelines are pressure equipment that may burst when handled incorrectly. Flying projectile fragments or the release of process medium under pressure can cause serious injury or even death.

Before starting any work on the regulator and control thermostat:

- *Depressurize all plant sections concerned and the regulator.*
- *Drain the process medium from all the plant sections affected as well as the regulator.*

WARNING

Risk of burn injuries due to hot or cold components and pipeline.

Control thermostat components and the pipeline may become very hot or cold. Risk of burn injuries.

- *Allow components and pipelines to cool down or warm up to the ambient temperature.*
- *Wear protective clothing and safety gloves.*

To decommission the control thermostat for service work or before removing it, proceed as follows:

1. Close the shut-off valve (1) installed on the downstream and upstream side of the sensor if a thermowell is not used.
2. Completely drain the pipelines and regulator.
3. Depressurize the plant.
4. If necessary, allow the pipeline and control thermostat components to cool down or warm up to the ambient temperature.

11 Removal

The work described in this section is only to be performed by personnel appropriately qualified to carry out such tasks.

WARNING

Risk of burn injuries due to hot or cold components and pipeline.

Control thermostat components and the pipeline may become very hot or cold. Risk of burn injuries.

- *Allow components and pipelines to cool down or warm up to the ambient temperature.*
 - *Wear protective clothing and safety gloves.*
-

Before removing the valve, make sure the following conditions are met:

- The control thermostat is put out of operation (see the 'Decommissioning' section).

11.1 Removing the control thermostat

1. Pull the sensor out of the thermowell. In cases where a thermowell is not used or a sensor pocket is used, unscrew the screw gland and pull out the sensor.
2. Unscrew the coupling nut (15) from the valve and remove the control thermostat.

12 Repairs

If the control thermostat does not function properly according to how it was originally configured or does not function at all, it is defective and must be exchanged.

12.1 Returning devices to SAMSON

Defective devices can be returned to SAMSON for repair.

Proceed as follows to return devices:

1. Exceptions apply concerning some special device models ► www.samsongroup.com > Service & Support > After-sales Service.
2. Send an e-mail ► retouren@samsongroup.com to register the return shipment including the following information:
 - Type
 - Article no.
 - Configuration ID
 - Original order
 - Completed Declaration on Contamination, which can be downloaded from our website at ► www.samsongroup.com > Service & Support > After-sales Service.

After checking your registration, we will send you a return merchandise authorization (RMA).

3. Attach the RMA (together with the Declaration on Decontamination) to the outside of your shipment so that the documents are clearly visible.
4. Send the shipment to the address given on the RMA.

i Note

Further information on returned devices and how they are handled can be found at ► www.samsongroup.com > Service & Support > After-sales Service.

13 Disposal



We are registered with the German national register for waste electric equipment (stiftung ear) as a producer of electrical and electronic equipment, WEEE reg. no.: DE 62194439

- Observe local, national and international refuse regulations.
- Do not dispose of components, lubricants and hazardous substances together with your other household waste.

i Note

We can provide you with a recycling passport according to PAS 1049 on request. Simply e-mail us at offersaleservice@samsongroup.com giving details of your company address.

Tip

On request, we can appoint a service provider to dismantle and recycle the product.

14 Certificates

The EU declarations of conformity are listed in the corresponding mounting and operating instructions (see documents listed under 'Referenced documentation' in the 'Safety instructions and measures' section).

15 Annex

15.1 Tightening torques

Table 15-1: *Tightening torque*

Component	Width across flats	Valve size	Tightening torque in Nm
Coupling nut (15)	SW 36	All	20

15.2 Tools

SAMSON's After-sales Service can support you concerning tools approved by SAMSON.

15.3 Lubricant

SAMSON's After-sales Service can support you concerning lubricants and sealants approved by SAMSON.

15.4 Spare parts

There are no spare parts available for the control thermostats.

15.5 After-sales service

Contact SAMSON's After-sales Service for support concerning service work or when malfunctions or defects arise.

E-mail contact

You can reach our after-sales service at aftersalesservice@samsongroup.com.

Addresses of SAMSON AG and its subsidiaries

The addresses of SAMSON, its subsidiaries, representatives and service facilities worldwide can be found on our website (▶ www.samsongroup.com) or in all SAMSON product catalogs.

Required specifications

Please submit the following details:

- Type and valve size
- Type ... Control Thermostat
- Model number or material number
- Temperature and process medium
- Installation drawing showing the exact location of the regulator, sensor of the control thermostat and all the additionally installed components (shut-off valves, pressure gauge etc.)

EB 2430 EN



SAMSON AKTIENGESELLSCHAFT
Weismüllerstraße 3 · 60314 Frankfurt am Main, Germany
Phone: +49 69 4009-0 · Fax: +49 69 4009-1507
samson@samsongroup.com · www.samsongroup.com