

# DATA SHEET



**T 5874 EN**

**Series 240**

**Type 3241/3274 Electric Control Valve; Type 3241 Globe Valve**

**Type 3244/3274 Electric Control Valve; Type 3244 Three-way Valve**



## Application

Versatile control valves for industrial applications as well as for heating, ventilation and air-conditioning systems  
DN 15 to 150 · PN 16 to 40 · Temperatures from -196 to +450 °C

## Special features

Type 3244 Three-way Valve or Type 3241 Globe Valve with Type 3274 Electrohydraulic Actuator

- Type 3241 Globe Valve
- Type 3244 Three-way Valve

## Versions

The Type 3274 Electric Actuator is available in various versions (see associated data sheet for details):

- With electric override
- With handwheel
- With fail-safe action
- With additional electrical equipment (limit contacts, resistance transmitter, positioner)

## Options

Version tested according to DIN EN 14597 available (see associated data sheet)

## Conformity

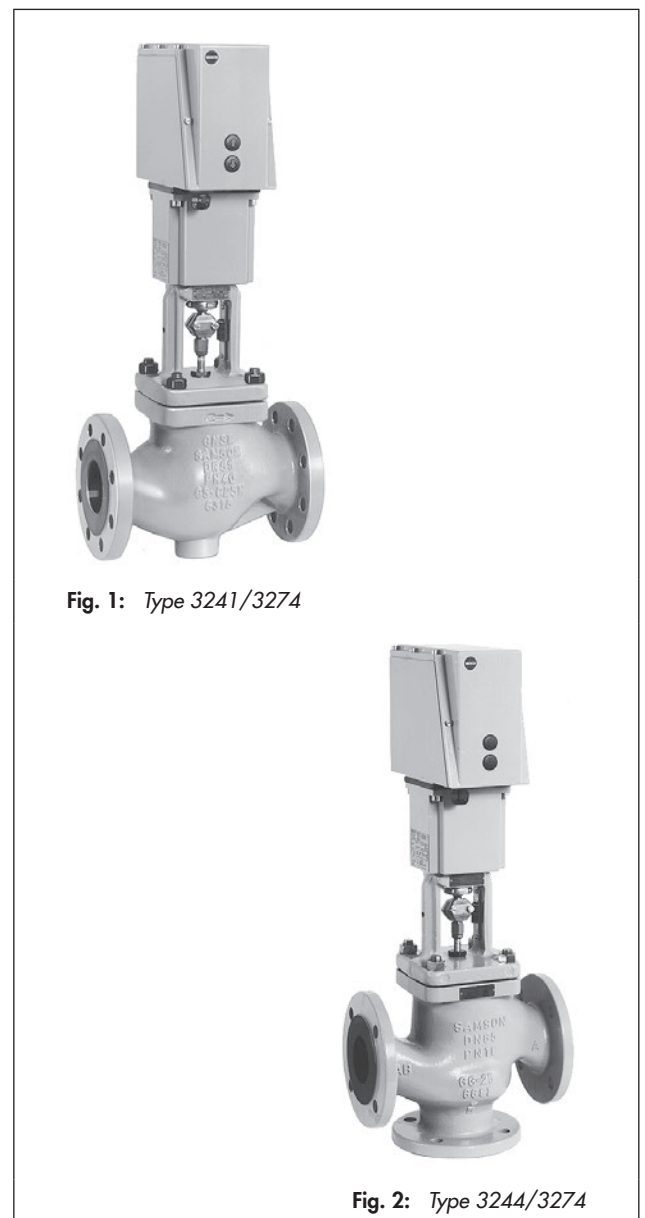


Fig. 1: Type 3241/3274

Fig. 2: Type 3244/3274

**Table 1:** Overview: Valve sizes,  $K_{VS}$  coefficients, seat diameters and permissible differential pressures  $\Delta p$  when  $p_2 = 0$  bar

**Table 1.1:** Type 3241/3274

$K_{VS}$ coefficient	0.1	0.16	0.25	0.4	0.63	1.0	1.6	2.5	4.0	6.3	10	16	25	40	60	63	80	100	160	200	260
Seat $\varnothing$ mm	3			6			12			24		31	38	48	63		80		100	110	130
Travel mm	15															30	15	30			
DN																					
15	•	•	•	•	•	•	•	•	•												
20	•	•	•	•	•	•	•	•	•	•											
25	•	•	•	•	•	•	•	•	•	•	•										
32				•	•	•	•	•	•	•	•	•									
40				•	•	•	•	•	•	•	•	•	•								
50				•	•	•	•	•	•	•	•	•	•	•							
65													•	•	•						
80													•	•	•		•				
100																•		•	•		
125																		•	•	•	
150																•			•		•
<b><math>\Delta p</math> in bar when <math>p_2 = 0</math> · Actuator force, refer to ► T 8340</b>																					
Without balanced plug																					
-11 <sup>1)</sup> /-15 <sup>1)</sup> /-21	40	40	40	40	40	40	40	40	40	35.8	35.8	20.9	13.5	8.1	4.4	3.7	2.5	2.0	1.1	-	-
-12 <sup>1)</sup> /-16 <sup>1)</sup> /-23	-	-	-	-	-	-	-	-	-	40	40	37.8	24.8	15.2	8.5	7.2	5.0	4.2	2.5	2.0	1.3
-13 <sup>1)</sup> /-17 <sup>1)</sup>	-	-	-	-	-	-	-	-	-	40	40	40	32	19.4	11	11	6.7	6.6	4.0	3.2	2.2
-14/-18	-	-	-	-	-	-	-	-	-	-	-	40	36.6	21	19.8	12.8	12	7.5	6.1	4.3	
-22	-	-	-	-	-	-	-	-	-	40	40	24.4	15.8	9.6	5.2	4.6	3.0	2.6	1.5	-	-
Balanced (PTFE)/without bellows seal																					
-11 <sup>1)</sup> /-15 <sup>1)</sup> /-21	-	-	-	-	-	-	-	-	-	-	-	-	-	-	-	-	40	39	29.5	25	15
-13 <sup>1)</sup> /-17 <sup>1)</sup>	-	-	-	-	-	-	-	-	-	-	-	-	-	-	-	-	40	40	40	40	40
-22	-	-	-	-	-	-	-	-	-	-	-	-	-	-	-	-	40	40	40	38.7	28.5
Balanced (PTFE)/with bellows seal																					
-11 <sup>1)</sup> /-15 <sup>1)</sup> /-21	-	-	-	-	-	-	-	-	-	-	-	-	-	-	-	-	27.5	5.7	3.8	2.9	0.9
-13 <sup>1)</sup> /-17 <sup>1)</sup>	-	-	-	-	-	-	-	-	-	-	-	-	-	-	-	-	40	27.8	26	25	23
-22	-	-	-	-	-	-	-	-	-	-	-	-	-	-	-	-	36	8.4	8.4	5.5	3.5

<sup>1)</sup> Actuator version no longer available

**Table 1.2:** Type 3244/3274 as mixing and diverting valve

$K_{VS}$ coefficient	2	4	6.3	10	6.3	10	16	25	25	40	60	80	100	140	160	200	300
Seat $\varnothing$ mm	24				31			38	48		63	75	80	90	100	110	130
DN																	
15	•	•															
20	•	•	•														
25	•	•	•	•													
32					•	•	•										
40					•	•	•	•									
50					•	•	•	•		•							
65									•	•	•						
80									•	•	•	•					
100													•		•		
125														•		•	
150																•	•
<b><math>\Delta p</math> in bar when <math>p_2 = 0</math> bar · Actuator force, refer to ► T 8340</b>																	
-11 <sup>1)</sup> /-15 <sup>1)</sup> /-21	35.6	35.6	35.6	35.6	20.8	20.8	20.8	13.5	8.1	8.1	4.4	2.9	2.0	1.5	1.1	0.8	0.5
-13 <sup>1)</sup>	40	40	40	40	40	40	40	31.8	19.6	19.6	11.1	7.6	6.6	5.1	4.0	3.2	2.2

<sup>1)</sup> Actuator version no longer available

**Table 2:** Dimensions and weights

**Table 2.1:** Type 3241 Valve (without actuator)

Valve size	DN	15	20	25	32	40	50	65	80	100	125	150
Length L	mm	130	150	160	180	200	230	290	310	350	400	480
Height H1	mm	H2 + H										
Height H2	mm	222	222	222	223	223	223	262	262	354	363	390
Height H3	mm	61	61	61	61	61	61	61	61	75	75	75
Height H4, fail-close	mm	75	75	75	75	75	75	75	75	90	90	90
Height H5	mm	44	44	44	72	72	72	98	98	118	144	175
<b>Weight</b>	kg (approx.)	6	7.5	8	12	14	18	29	34	52	81	108

**Table 2.2:** Type 3241 Valve with insulating section or bellows seal (without actuator)

Valve size	DN	15	20	25	32	40	50	65	80	100	125	150	
Height H9	Short/with bellows	mm	409	409	409	410	410	410	451	451	636	645	672
	Long/long with bellows	mm	713	713	713	714	714	714	755	755	877	886	913
<b>Weight</b>	Short/with bellows	kg (approx.)	9	10.5	11	18	20	24	37	42	70	106	138
	Long/long with bellows	kg (approx.)	13	14.5	15	22	24	28	41	46	78	114	146

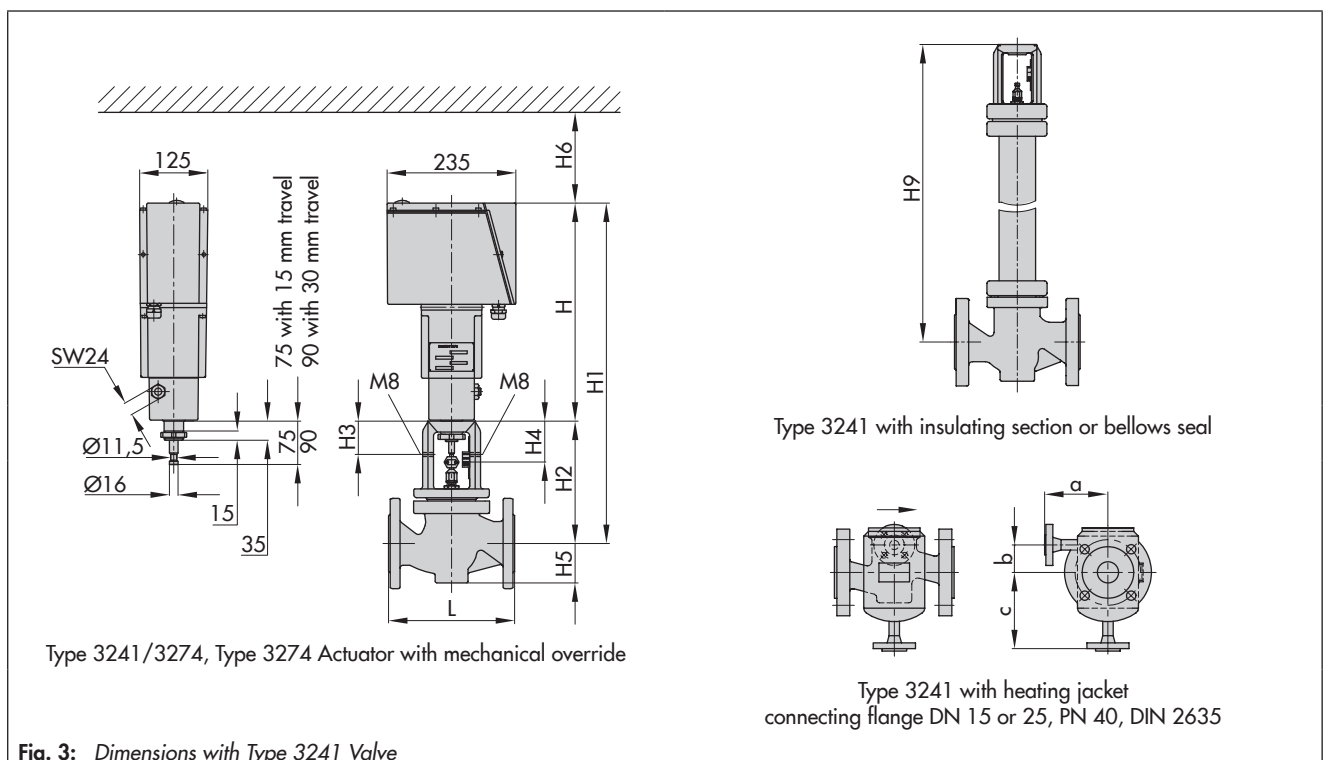
**Table 2.3:** Type 3241 Valve with heating jacket (not for valve body made of EN-GJL-250 or EN-GJS-400-18-LT)

Valve size	DN	25	32 to 50	65 to 80	100
a	mm	110	140	180	200
b	mm	15	20	35	50
c	mm	140	170	215	255

**Table 2.4:** Type 3274 Actuator

Type 3274 Actuator		-11 <sup>1)</sup> /-12 <sup>1)</sup> /-13 <sup>1)</sup> /-14/-21 to -23	-15 <sup>1)</sup> /-16 <sup>1)</sup> /-17 <sup>1)</sup> /-18
Height H	mm	320	412
Height H6	mm	150	150
<b>Weight</b>	kg (approx.)	12	15

<sup>1)</sup> Actuator version no longer available



**Fig. 3:** Dimensions with Type 3241 Valve

**Table 2.5:** Type 3244 Valve (without actuator)

Valve size	DN	15	20	25	32	40	50	65	80	100	125	150
Length L	mm	130	150	160	180	200	230	290	310	350	400	480
Length L1	mm	70	80	85	100	105	120	130	140	150	200	210
Height H1	mm	H2 + H										
Height H2	mm	235	235	235	235	235	235	270	270	360	375	375
Height H3	mm	61	61	61	61	61	61	61	61	75	75	75
Height H4, stem extended	mm	75	75	75	75	75	75	75	75	90	90	90
<b>Weight</b>	kg (approx.)	6	7	8	13	15	17	31	37	49	95	135

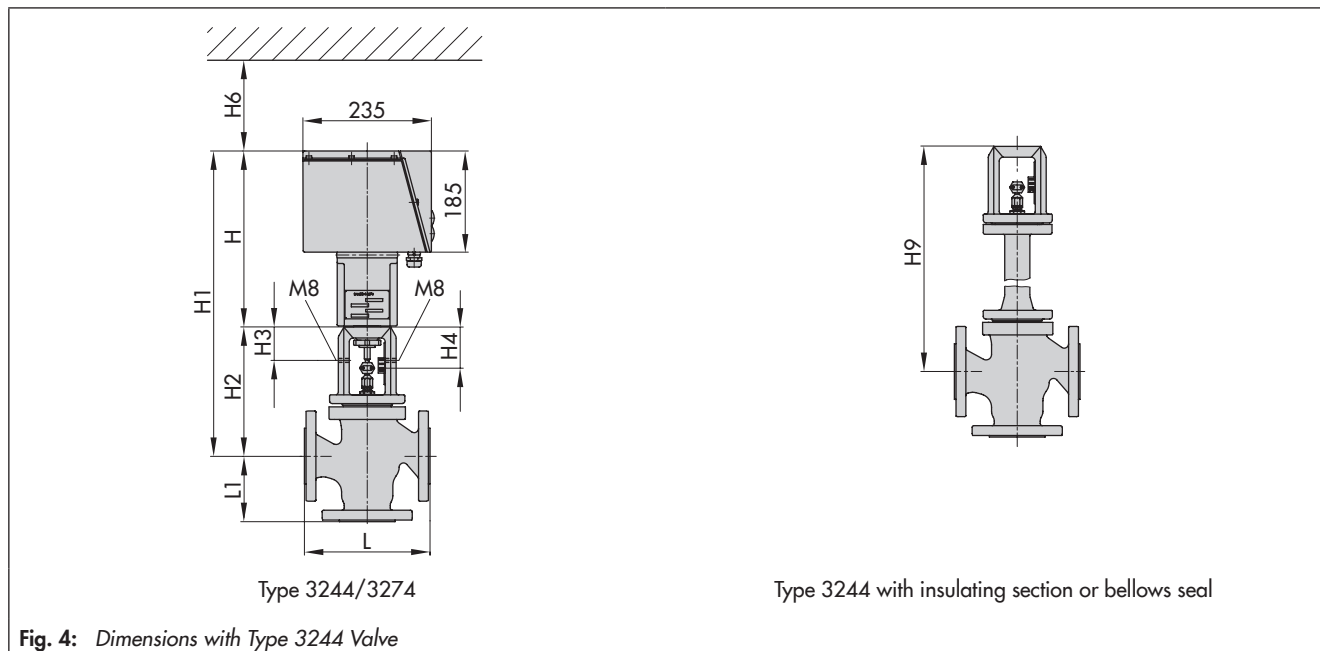
**Table 2.6:** Type 3244 Valve with insulating section or bellows seal (without actuator)

Valve size	DN	15	20	25	32	40	50	65	80	100	125	150
Height H9	Short/with bellows	mm	420	420	420	420	420	455	455	645	655	655
	Long/long with bellows	mm	725	725	725	725	725	760	760	895	900	900
<b>Weight</b>	Short/with bellows	kg (approx.)	9	10	11	19	21	23	40	45	68	120
	Long/long with bellows	kg (approx.)	13	14	15	23	25	27	44	49	76	128

**Table 2.7:** Type 3274 Actuator

Type 3274 Actuator		-11 <sup>1)</sup> /-12 <sup>1)</sup> /-13 <sup>1)</sup> /-14/-21 to -23	-15 <sup>1)</sup> /-16 <sup>1)</sup> /-17 <sup>1)</sup> /-18
Height H	mm	320	412
Height H6	mm	150	150
<b>Weight</b>	kg (approx.)	12	15

<sup>1)</sup> Actuator version no longer available



**Fig. 4:** Dimensions with Type 3244 Valve

**Ordering text**

- Electric control valve · Type 3241/3274 or Type 3244/3274
- DN ..., PN ..., body material ...
- Type 3274-.. Actuator
- Supply voltage ... V, ... Hz
- Optionally, special version

**Associated data sheets**

- Tested versions ▶ T 5871
- Type 3274 Electrohydraulic Actuator ▶ T 8340
- Associated mounting and operating instructions**
- Type 3241 Valve ▶ EB 8015
- Type 3244 Valve ▶ EB 8026
- Type 3274 Electrohydraulic Actuator ▶ EB 8340